

en:gate®



# TECHNICAL DATA SHEET

## LED PAR20

# LED PAR20

**The LED PAR20 is an energy efficient and long life-span lamp. It is truly a low-energy and low heat replacement for halogen and incandescent lamps.**

This lamp delivers outstanding and superior energy efficiency accent lighting for commercial, home, retail and other areas.

## HIGHLIGHTS

- Up to 80% reduction in power consumption
- Average rated lifespan of 40,000 hours
- 20,000 times of switching cycle
- Energy efficiency class: A
- Low maintenance costs by reducing re-lamp frequency
- Environmental friendly – free of mercury and hazardous materials
- Starting time < 0.5 seconds
- Instant-On Light < 1 second
- CE, RoHS, KEMA-KEUR and UL certified

## FEATURES

- Superior color rendering with 80 CRI
- Will not fade colors, avoids inventory spoilage
- Low heat emission, compact dimensions
- Rapid amortization
- Operating temperature: -20°C - +45°C
- Lumen maintenance factor: L70
- Dimmable<sup>1</sup> and non-dimmable versions available
- 3 years of warranty<sup>2</sup>

## APPLICATION

- Retail, Office, Commercial



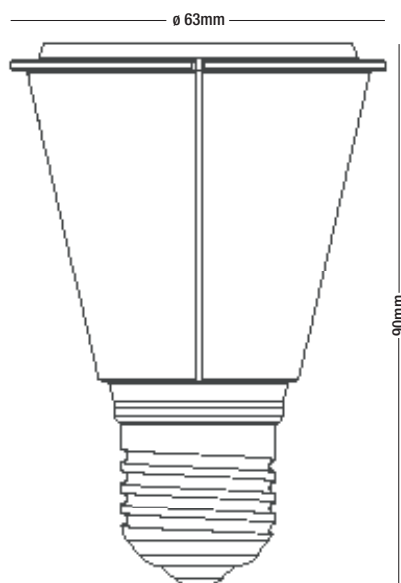
For further information scan the QR Code or visit [www.en-gate.com/PAR20](http://www.en-gate.com/PAR20)

# TECHNICAL DETAILS

## LED PAR20

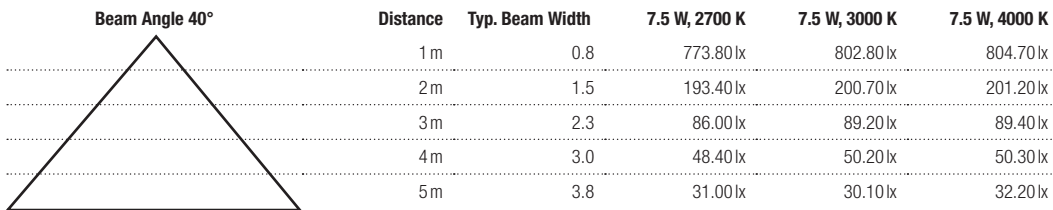
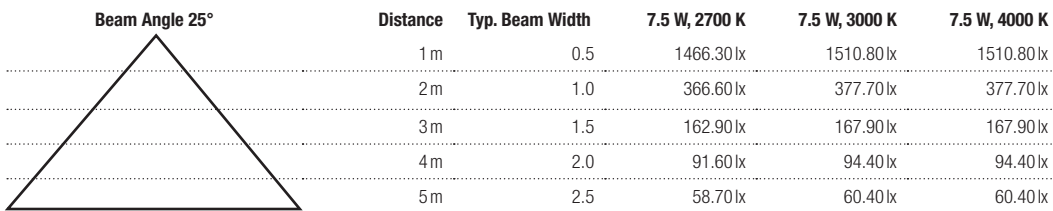
Power Max.	Replace Incandescent	CCT	Light Output Min.	Ra	Beam Angle	Dimmable	Voltage	Power factor	Energy Consumption	Base	Art.-No.
7.5W	35W	2.700K	400lm	80	25°	■	220-240V	Typ. 0.8	7.5kWh/1000h	E27	T2-PR2-DH-74CN2M
7.5W	36W	3.000K	415lm	80	25°	■	220-240V	Typ. 0.8	7.5kWh/1000h	E27	T2-PR2-DH-74CP2M
7.5W	36W	4.000K	415lm	80	25°	■	220-240V	Typ. 0.8	7.5kWh/1000h	E27	T2-PR2-DH-74C22M
7.5W	35W	2.700K	400lm	80	40°	■	220-240V	Typ. 0.8	7.5kWh/1000h	E27	T2-PR2-DH-74CS2M
7.5W	36W	3.000K	415lm	80	40°	■	220-240V	Typ. 0.8	7.5kWh/1000h	E27	T2-PR2-DH-74CT2M
7.5W	36W	4.000K	415lm	80	40°	■	220-240V	Typ. 0.8	7.5kWh/1000h	E27	T2-PR2-DH-74C42M
7.5W	35W	2.700K	400lm	80	25°	□	110-240V	Typ. 0.8	7.5kWh/1000h	E27	T2-PR2-DH-48CN2M
7.5W	35W	2.700K	400lm	80	40°	□	110-240V	Typ. 0.8	7.5kWh/1000h	E27	T2-PR2-DH-48CS2M

■ Dimmable      □ Non dimmable

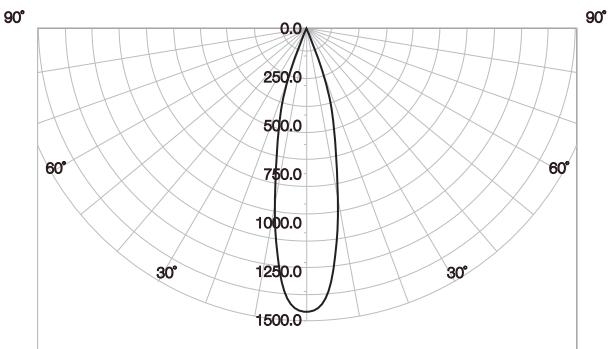


# MEASUREMENT DATA LED PAR20

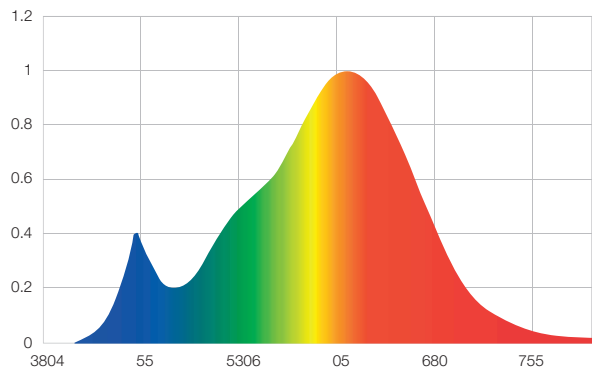
## Lux-Diagram



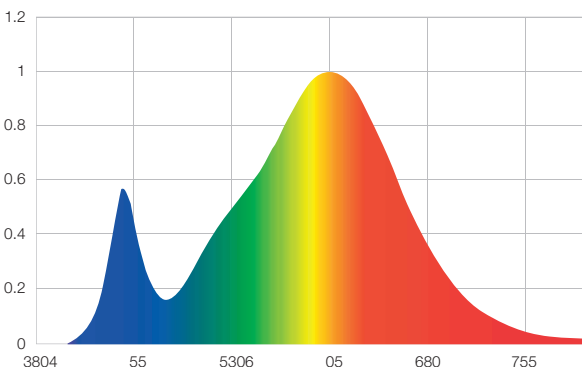
## Polar Intensity Diagram



## CCT 2700K Spectrum



## CCT 3000K Spectrum



## CCT 4000K Spectrum

