

en:gate®



TECHNICAL DATA SHEET LED PAR16 SHORT BASE

LED PAR16 SHORT BASE

The LED PAR16 SHORT BASE offers bright light design, making it the ideal retrofit solution for a 35 W halogen lamp with a GU10 base.

The LED PAR16 SHORT BASE 4 W comes with the color temperature of 2700 K & 3000 K, and it delivers the right light to the ambiance for different needs.

HIGHLIGHTS

- Up to 80% reduction in power consumption
- Average rated lifespan of 40,000 hours
- 20,000 times of switching cycle
- Energy efficiency class: A
- Low maintenance costs by reducing re-lamp frequency
- Environmental friendly – free of mercury and hazardous materials
- Starting time < 0.5 seconds
- Instant-On Light < 1 second
- CE, RoHS, KEMA-GS, KEMA-KEUR and UL certified

FEATURES

- Superior color rendering with 80 CRI
- Will not fade colors, avoids inventory spoilage
- Low heat emission, compact dimensions
- Rapid amortization
- Operating temperature: -20°C - +45°C
- Lumen maintenance factor: L70
- 3 years of warranty¹

APPLICATION

- Retail, Office, Commercial

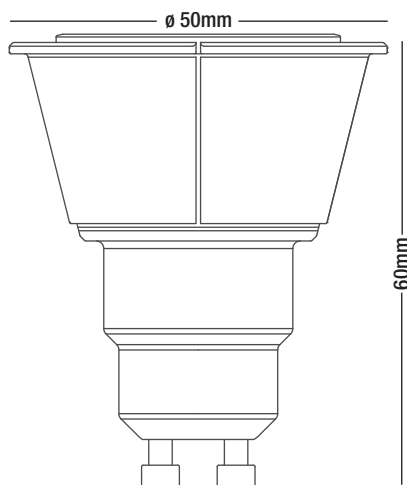


For further information scan the QR Code or visit www.en-gate.com/PAR16

TECHNICAL DETAILS

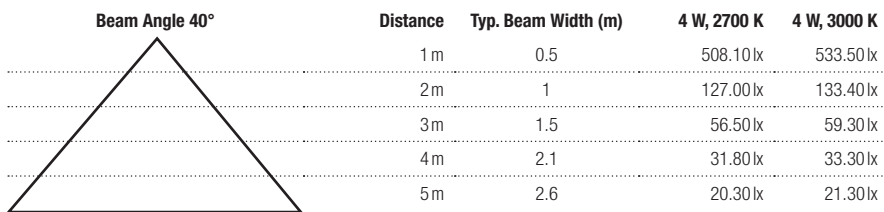
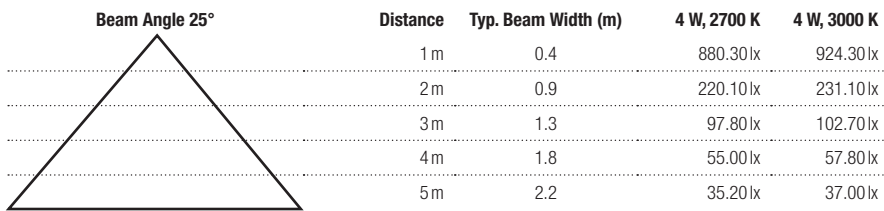
LED PAR16 SHORT BASE

Power	Replace	CCT	Light Output	Ra	Beam	Voltage	Power factor	Energy	Base	Art.-No.
Max.	Incandescent		Min.		Angle			Consumption		
4W	24W	2,700K	200lm	80	25°	110-240V	Typ. 0.8	4.40kWh/1000h	GU10	T2-PR1-BG-50NL2M
4W	25W	3,000K	210lm	80	25°	110-240V	Typ. 0.8	4.40kWh/1000h	GU10	T2-PR1-BG-50NM2M
4W	24W	2,700K	200lm	80	40°	110-240V	Typ. 0.8	4.40kWh/1000h	GU10	T2-PR1-BG-50NQ2M
4W	25W	3,000K	210lm	80	40°	110-240V	Typ. 0.8	4.40kWh/1000h	GU10	T2-PR1-BG-50NR2M

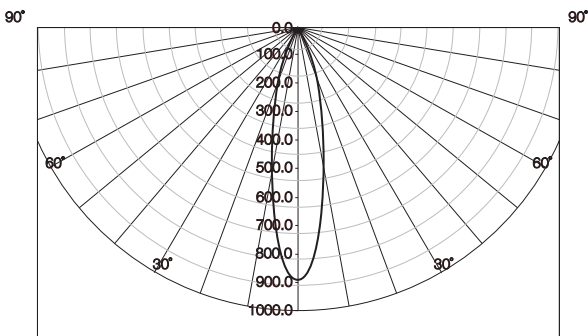


MEASUREMENT DATA LED PAR16 SHORT BASE

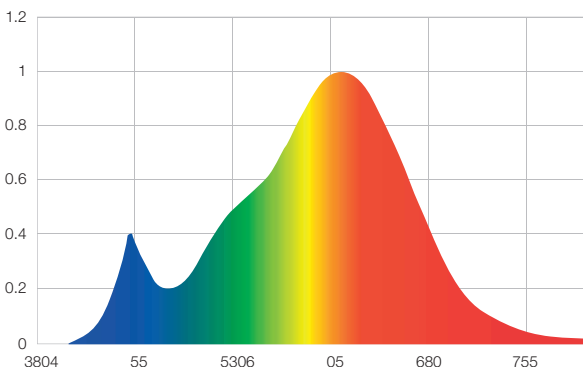
Lux-Diagram



Polar Intensity Diagram



CCT 2700K Spectrum



CCT 3000K Spectrum

