

en:gate®



TECHNICAL DATA SHEET
LED DOWNLIGHT CLEVER MINI

LED DOWNLIGHT CLEVER MINI

LED DOWNLIGHT CLEVER MINI offers 30W with 3 different beam angles and colour temperature.

It is used to lighten up a specific area in the applications for hotels, restaurants and shopping malls.

HIGHLIGHTS

- Multiple functions
- Easy installation
- Up to 80% reduction in power consumption¹
- Average rated lifespan of 25,000 hours
- 100,000 times of switching cycle
- Energy efficiency class: A
- Low maintenance costs by reducing re-lamp frequency
- Environmental friendly – free of mercury and hazardous materials
- Starting time < 0.5 seconds
- Instant start < 1 second

FEATURES

- Available in 2 colors: black & white
- Superior color rendering with 80 & 90 CRI
- Will not fade colors, avoids inventory spoilage
- Operating temperature: -20°C - +40°C
- Lumen maintenance factor: L70
- Weight: 1.02 kg
- IP Rating: IP20
- Low heat generation, short amortization period
- Warranty: 5 years luminaire, 3 years driver²

APPLICATION

- Hotels, restaurants, shopping malls



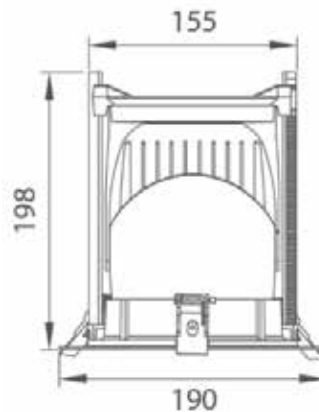
For further information scan the QR Code or visit www.en-gate.com/CLEVER_MINI

TECHNICAL DETAILS

LED DOWNLIGHT CLEVER MINI

Power	Replace	CCT	Light Output	Lux @ 1 m	CRI	Beam	Body Color	Voltage	Power	Art.-No.
Max.	Incandescent		Min.	(typ.)		Angle			factor	
30W	70W	3.000K	2.350lm	11.750lx	80	15°	□	100-240V	0.9	T2-CLM-KR-82BX6T
30W	70W	4.000K	2.350lm	11.750lx	80	15°	□	100-240V	0.9	T2-CLM-KR-82B06T
30W	70W	5.700K	2.350lm	11.750lx	80	15°	□	100-240V	0.9	T2-CLM-KR-82BF6T
30W	70W	3.000K	2.350lm	11.750lx	80	25°	□	100-240V	0.9	T2-CLM-LR-82BX6T
30W	70W	4.000K	2.350lm	11.750lx	80	25°	□	100-240V	0.9	T2-CLM-LR-82B06T
30W	70W	5.700K	2.350lm	11.750lx	80	25°	□	100-240V	0.9	T2-CLM-LR-82BF6T
30W	70W	3.000K	2.350lm	11.750lx	80	38°	□	100-240V	0.9	T2-CLM-MR-82BX6T
30W	70W	4.000K	2.350lm	11.750lx	80	38°	□	100-240V	0.9	T2-CLM-MR-82B06T
30W	70W	5.700K	2.350lm	11.750lx	80	38°	□	100-240V	0.9	T2-CLM-MR-82BF6T
30W	70W	3.000K	2.350lm	11.750lx	80	15°	■	100-240V	0.9	T2-CLM-KR-82AX6T
30W	70W	4.000K	2.350lm	11.750lx	80	15°	■	100-240V	0.9	T2-CLM-KR-82A06T
30W	70W	5.700K	2.350lm	11.750lx	80	15°	■	100-240V	0.9	T2-CLM-KR-82AF6T
30W	70W	3.000K	2.350lm	11.750lx	80	25°	■	100-240V	0.9	T2-CLM-LR-82AX6T
30W	70W	4.000K	2.350lm	11.750lx	80	25°	■	100-240V	0.9	T2-CLM-LR-82A06T
30W	70W	5.700K	2.350lm	11.750lx	80	25°	■	100-240V	0.9	T2-CLM-LR-82AF6T
30W	70W	3.000K	2.350lm	11.750lx	80	38°	■	100-240V	0.9	T2-CLM-MR-82AX6T
30W	70W	4.000K	2.350lm	11.750lx	80	38°	■	100-240V	0.9	T2-CLM-MR-82A06T
30W	70W	5.700K	2.350lm	11.750lx	80	38°	■	100-240V	0.9	T2-CLM-MR-82AF6T

□ White ■ Black



TECHNICAL DETAILS

LED DOWNLIGHT CLEVER MINI

Power Max.	Replace Incandescent	CCT	Light Output Min.	Lux @ 1 m (typ.)	CRI	Beam Angle	Body Color	Voltage	Power factor	Art.-No.
30W	70W	3.000K	1.880lm	9.400lx	90	15°	□	100-240V	0.9	T2-CLM-KR-82BX7T
30W	70W	4.000K	1.880lm	9.400lx	90	15°	□	100-240V	0.9	T2-CLM-KR-82B07T
30W	70W	5.700K	1.880lm	9.400lx	90	15°	□	100-240V	0.9	T2-CLM-KR-82BF7T
30W	70W	3.000K	1.880lm	9.400lx	90	25°	□	100-240V	0.9	T2-CLM-LR-82BX7T
30W	70W	4.000K	1.880lm	9.400lx	90	25°	□	100-240V	0.9	T2-CLM-LR-82B07T
30W	70W	5.700K	1.880lm	9.400lx	90	25°	□	100-240V	0.9	T2-CLM-LR-82BF7T
30W	70W	3.000K	1.880lm	9.400lx	90	38°	□	100-240V	0.9	T2-CLM-MR-82BX7T
30W	70W	4.000K	1.880lm	9.400lx	90	38°	□	100-240V	0.9	T2-CLM-MR-82B07T
30W	70W	5.700K	1.880lm	9.400lx	90	38°	□	100-240V	0.9	T2-CLM-MR-82BF7T
30W	70W	3.000K	1.880lm	9.400lx	90	15°	■	100-240V	0.9	T2-CLM-KR-82AX7T
30W	70W	4.000K	1.880lm	9.400lx	90	15°	■	100-240V	0.9	T2-CLM-KR-82A07T
30W	70W	5.700K	1.880lm	9.400lx	90	15°	■	100-240V	0.9	T2-CLM-KR-82AF7T
30W	70W	3.000K	1.880lm	9.400lx	90	25°	■	100-240V	0.9	T2-CLM-LR-82AX7T
30W	70W	4.000K	1.880lm	9.400lx	90	25°	■	100-240V	0.9	T2-CLM-LR-82A07T
30W	70W	5.700K	1.880lm	9.400lx	90	25°	■	100-240V	0.9	T2-CLM-LR-82AF7T
30W	70W	3.000K	1.880lm	9.400lx	90	38°	■	100-240V	0.9	T2-CLM-MR-82AX7T
30W	70W	4.000K	1.880lm	9.400lx	90	38°	■	100-240V	0.9	T2-CLM-MR-82A07T
30W	70W	5.700K	1.880lm	9.400lx	90	38°	■	100-240V	0.9	T2-CLM-MR-82AF7T

□ White ■ Black

