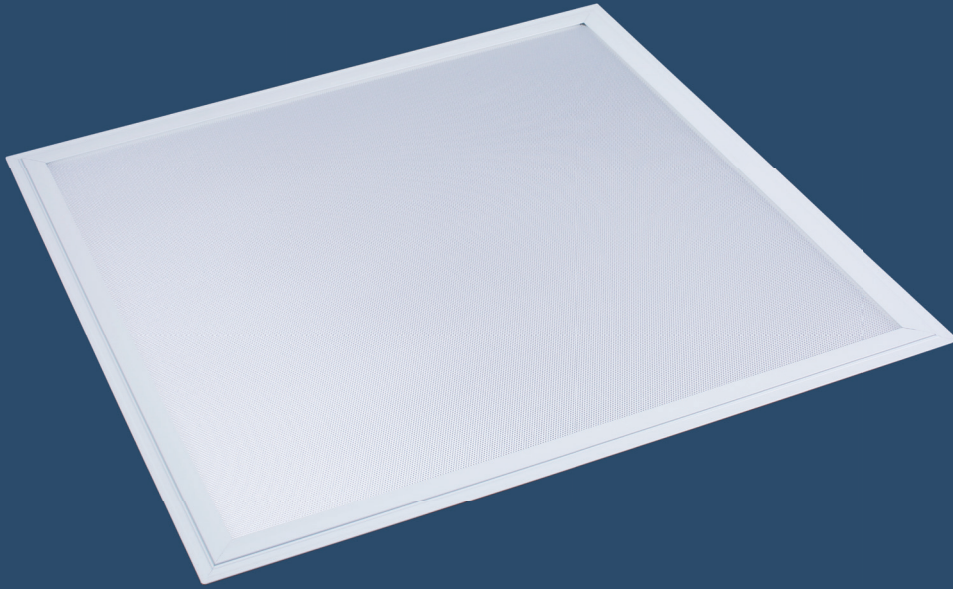


en:gate®



TECHNICAL DATA SHEET  
LED FLATLIGHT PANEL  
LATUS P

# LED FLATLIGHT PANEL LATUS P

The high quality of LED Flatlight Panel LATUS P product family offers an effective and efficient conversion to LED in offices, shopping malls, hotels and other applications.

The LED Flatlight Panel LATUS P can be installed in ceilings easily. It is equipped with fast connectors, avoiding the need to open the unit. The design of the product guarantees an excellent light distribution, while the white-light LEDs generate high light quality, ensuring the best visual comfort and perfect color rendering. The ultra slim design that adopts bright LED as light source, powered by low voltage constant current driver, allows it to be a stable, long life and no UV and IR emission product.

LATUS P is equipped with different external device drivers according to individual requirements. While LATUS P is not dimmable in the basic version, the dimmable product versions are provided with DALI or 1-10V control units.

Advantages of 1-10 V lighting control solutions

- Further reduction of energy costs
- Adjustment of lighting to the environment and thereby increase of lighting comfort
- Possibility of individual lighting installations

Advantages of DALI lighting control

- Possibility of individual lighting scenarios
- One interface for all components of a lighting system and possibility of networking of components to each other

The various device drivers can be replaced later when changing the technical control.

The LED Flatlight Panel LATUS P is the ideal replacement for traditional grid lights and fluorescent tubes. Furthermore it creates excellent lighting that conventional light will never achieve.

## HIGHLIGHTS

- 2 dimensions available: 620x620mm and 600x600 mm
- Ultra slim design with 8 mm thickness
- High reduction in power consumption
- Average rated lifespan of 50,000 hours
- 100,000 times of switching cycle
- Energy Efficiency Class: A
- Low maintenance costs
- Environmental friendly – free of mercury and hazardous materials
- Starting time < 0.5 seconds
- Instant start < 1 second

## FEATURES

- Color: white
- Superior color rendering with > 80 CRI
- Will not fade colors, avoids inventory spoilage
- Operating temperature -20°C – +50°C
- Dimmable and non-dimmable versions available<sup>1</sup>
- Lumen maintenance factor: L70
- Low heat generation, short amortization period
- Low glare, excellent light distribution
- Weight 3.6 kg
- Warranty: 5 years for panel, 3 years for driver<sup>2</sup>

## APPLICATION

- Inside: offices, corridors, foyers, commercial and industry



For further information scan the QR Code  
or visit [www.en-gate.com/LATUS\\_P](http://www.en-gate.com/LATUS_P)

# TECHNICAL DETAILS

## LED FLATLIGHT PANEL LATUS P

### Basis model, non-dimmable, no driver

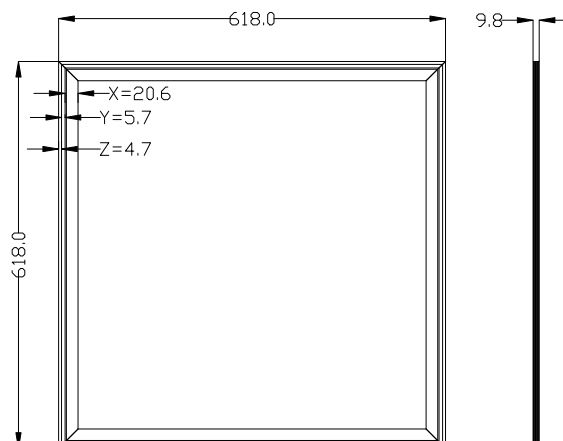
Power	CCT	Light Output	CRI	Beam Angle	UGR	Voltage	Power factor	Step Down	Dimensions	IP	Art.-No.
Max.		Min.									
40W	3000K	3400lm	> 80	120°	< 19	220-240V	0.9	No	600x600 mm	40	T4-PAL-CD-00W31C
40W	4000K	3400lm	> 80	120°	< 19	220-240V	0.9	No	600x600 mm	40	T4-PAL-CD-00W51C
40W	3000K	3400lm	> 80	120°	< 19	220-240V	0.9	No	620x620 mm	40	T4-PAL-CE-00W31C
40W	4000K	3400lm	> 80	120°	< 19	220-240V	0.9	No	620x620 mm	40	T4-PAL-CE-00W51C
40W	3000K	3400lm	> 80	120°	< 19	220-240V	0.9	Yes	600x600 mm	40	T4-PAL-CF-00W31C
40W	4000K	3400lm	> 80	120°	< 19	220-240V	0.9	Yes	600x600 mm	40	T4-PAL-CF-00W51C
40W	3000K	3400lm	> 80	120°	< 19	220-240V	0.9	Yes	620x620 mm	40	T4-PAL-CG-00W31C
40W	4000K	3400lm	> 80	120°	< 19	220-240V	0.9	Yes	620x620 mm	40	T4-PAL-CG-00W51C

### Driver

Power Max.	Description	Dimmable	Voltage	Power factor	Art.-No.
60W	Meanwell LCM-60	yes (DALI)	180-295V	0.9	TZ-PAD-AA-B0306C
40W	Meanwell PCD-40	yes (Phase-cut Dimming)	180-295V	0.9	TZ-PAD-AA-B0406C
40W	Meanwell LPF-40	yes (1-10V)	90-305V	0.9	TZ-PAD-AA-B0507C
40W	Standard driver on/off	no	180-264 V	0.9	TZ-PAD-AA-A0608C

### Accessories

Description	Art.-No.
Clip-in Installation	TZ-ACC-AA-A0201C
S-Shape Surface Mounted Installation	TZ-ACC-AA-A0203C
Suspension Rope Installation	TZ-ACC-AA-A0205C



# TECHNICAL DETAILS

## LED FLATLIGHT PANEL LATUS P

### Basis model, non-dimmable, no driver

Power	CCT	Light Output	CRI	Beam Angle	UGR	Voltage	Power factor	Step Down	Dimensions	IP	Art.-No.
Max.		Min.									
50W	3000K	4750lm	> 80	120°	< 19	100-240V	0.9	Yes	620x620x11 mm	20	T4-PAL-LG-00W31C
50W	4000K	5000lm	> 80	120°	< 19	100-240V	0.9	Yes	620x620x11 mm	20	T4-PAL-LG-00W51C
50W	6000K	5000lm	> 80	120°	< 19	100-240V	0.9	Yes	620x620x11 mm	20	T4-PAL-LG-00W91C

### Driver

Power Max.	Description	Dimmable	Voltage	Power factor	Art.-No.
60W	Meanwell LCM-60	yes (DALI)	180-295V	0.9	TZ-PAD-AA-B0306C
40W	Meanwell PCD-40	yes (Phase-cut Dimming)	180-295V	0.9	TZ-PAD-JA-B1706C
40W	Meanwell LPF-60	yes (1-10V)	90-305V	0.9	TZ-PAD-JA-B1607C
40W	Standard driver on/off	no	180-264 V	0.9	TZ-PAD-AA-A0608C

### Accessories

Description	Art.-No.
Clip-in Installation	TZ-ACC-AA-A0201C
S-Shape Surface Mounted Installation	TZ-ACC-AA-A0203C
Suspension Rope Installation	TZ-ACC-AA-A0205C

